



Zebra Technologies Corporation

333 Corporate Woods Parkway
Vernon Hills, Illinois 60061.3109 U.S.A.
Telephone +1 847.634.6700
Facsimile +1 847.913.8766



Zebra Technologies Europe Limited

Zebra House
The Valley Centre, Gordon Road
High Wycombe
Buckinghamshire HP13 6EQ, UK
Telephone +44 (0)1494 472872
Facsimile +44 (0)1494 450103



**Zebra Technologies
Latin American Sales Office**

6175 NW 153rd Street
Suite 121
Miami Lakes FL 33014 U.S.A.
Telephone +1 305.558.8470
Facsimile +1 305.558-8485



**Zebra Technologies
Regional Sales Office - Asia/Pacific**

1 Sims Lane, #06-11
Singapore 387355
Telephone +011 / 65 6842 0322
Facsimile +011 / 65 6842 0366



980482-001A

Part #980482-001 | Rev. A



Zebra® LP 2844™



LP 2844 -lämpötulostimet

| | | |
|-----------------------|----------------------------------|--|
| <u>EMC-direktiivi</u> | EN 55022-B 1998 EN 55024 1998 | Radiotaajuussäteilyn säätö Sähkömagneettinen häiriönsieto |
| <u>CB-kaavio</u> | EN 60950 1991 | Turvallisuus |

LP 2844 Termiska skrivare

| | | |
|---------------------|----------------------------------|---|
| <u>EMC-direktiv</u> | EN 55022-B 1998 EN 55024 1998 | RF emissionskontroll Tålighet mot elektromagnetiska störningar |
| <u>CB regler</u> | EN 60950 1991 | Säkerhet |

Termoskriverne LP 2844

| | | |
|---------------------|----------------------------------|--|
| <u>EMC-Direktiv</u> | EN 55022-B 1998 EN 55024 1998 | RF-emissionskontroll Ujottakelighet mot elektromagnetiske forstyrrelser |
| <u>CB skjema</u> | EN 60950 1991 | Sikkerhet |

Impresoras térmicas LP 2844

| | | |
|----------------------|----------------------------------|---|
| <u>Normativa EMC</u> | EN 55022-B 1998 EN 55024 1998 | Control de emisiones de radiofrecuencia Inmunidad a las alteraciones electromagnéticas |
| <u>CB Esquema</u> | EN 60950 1991 | Seguridad |

Stampante termica LP 2844

| | | |
|----------------------|----------------------------------|--|
| <u>Direttiva EMC</u> | EN 55022-B 1998 EN 55024 1998 | Controllo delle emissioni di frequenza radiofonica Immunità ai disturbi elettromagnetici |
| <u>CB Schema</u> | EN 60950 1991 | Sicurezza |

Impressoras térmica LP 2844

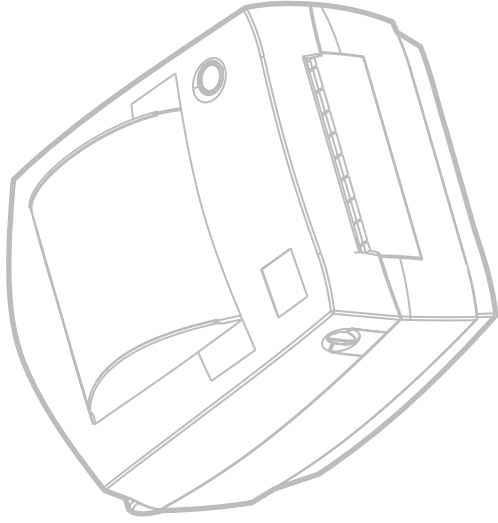
| | | |
|---------------------|----------------------------------|---|
| <u>Diretiva EMC</u> | EN 55022-B 1998 EN 55024 1998 | Controle de Emissões de RF Imunidade a Distúrbios Eletromagnéticos |
| <u>CB Esquema</u> | EN 60950 1991 | Segurança |

Θερμικοί Εκτυπωτές LP 2844

| | | |
|-------------------------|----------------------------------|---|
| <u>Οδηγία ΗΜΣ (EMC)</u> | EN 55022-B 1998 EN 55024 1998 | Έλεγχος εκπομπών ΡΣ Ανοσία σε ηλεκτρομαγνητικές παρεμβολές |
| <u>CB Διάγραμμα</u> | EN 60950 1991 | Ασφάλεια |

LP 2844 termoprinter

| | | |
|----------------------------|----------------------------------|--|
| <u>EMC direktiv</u> | EN 55022-B 1998 EN 55024 1998 | Udstråling Ujmodtagelig for elektromagnetisk støj |
| <u>CB certifikatorning</u> | EN 60950 1991 | Sikkerhed |





FCC - DECLARATION OF CONFORMITY:

Model: LP 2844 conforms to the following specification: FCC Part 15, Subpart B, Section 15.107(a) and Section 15.109(a) Class B digital device

Supplemental Information: This device complies with Part 15 of the FCC Rules. Operation is subject to the following Two Conditions: (1) This device may not cause harmful interference , and (2) this device must accept any interference received, including interference that may cause undesired operation.

INDUSTRY CANADA NOTICE:

This device complies with Industry Canada ICS-003 class B requirements. Cet équipement est conforme a l'ICS-003 classe B de la norm Industrielle Canadian.



LP 2844 Thermal Printers

| | | |
|----------------------|----------------------------------|--|
| <u>EMC Directive</u> | EN 55022-B 1998 EN 55024 1998 | RF Emissions control Immunity to Electromagnetic Disturbances |
| <u>CB Scheme</u> | EN 60950 1991 | Safety |

LP 2844 Thermodrucker

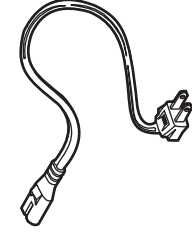
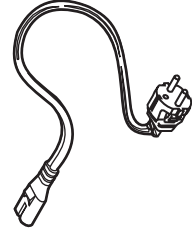
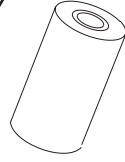
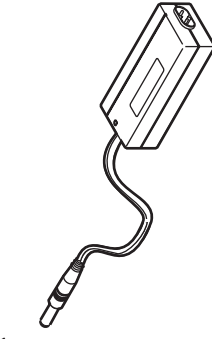
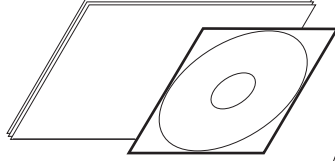
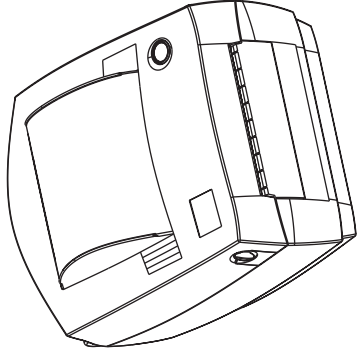
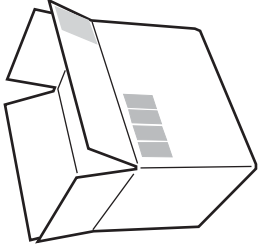
| | | |
|----------------------|----------------------------------|---|
| <u>EMC Direktive</u> | EN 55022-B 1998 EN 55024 1998 | HF-Emissionsbegrenzung Festigkeit gegen elektro- magnetische Störungen |
| <u>CB Entwurf</u> | EN 60950 1991 | Sicherheit |

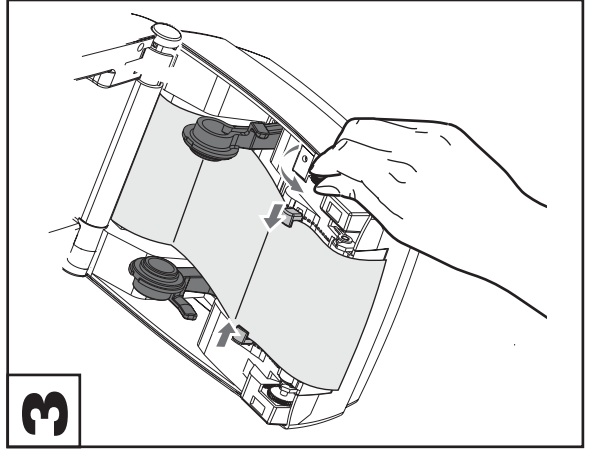
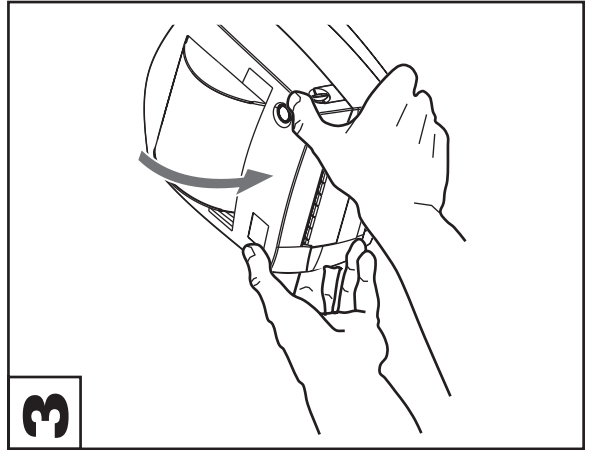
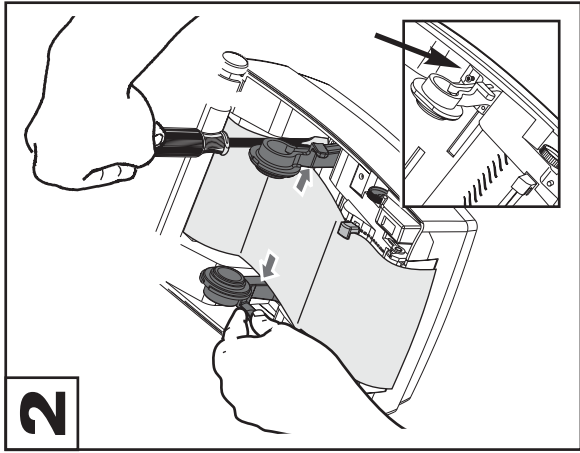
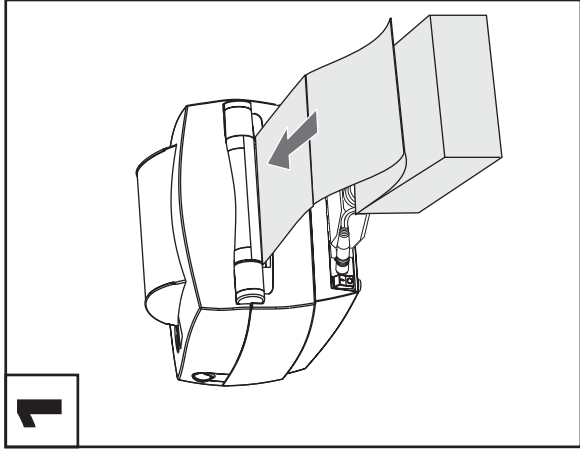
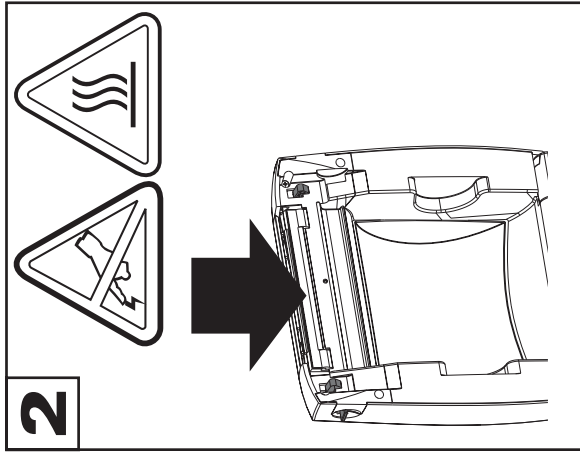
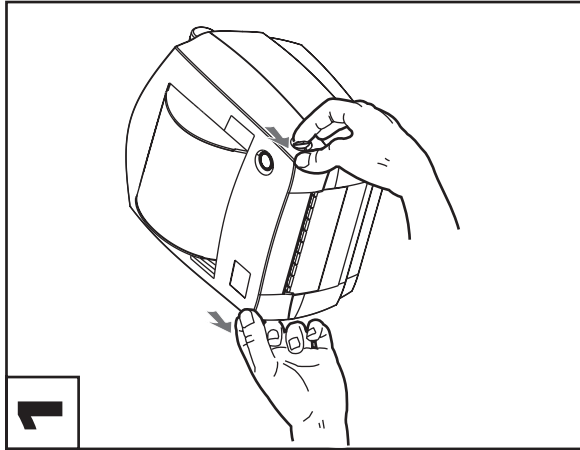
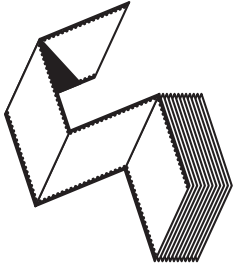
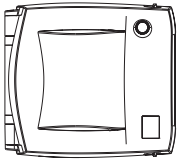
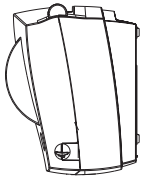
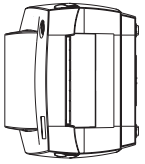
Imprimante thermique LP 2844

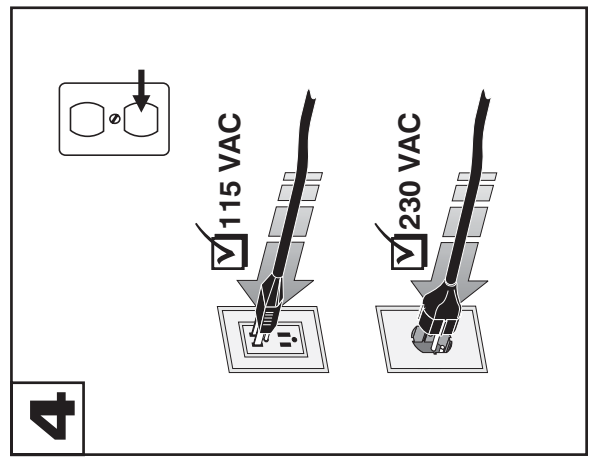
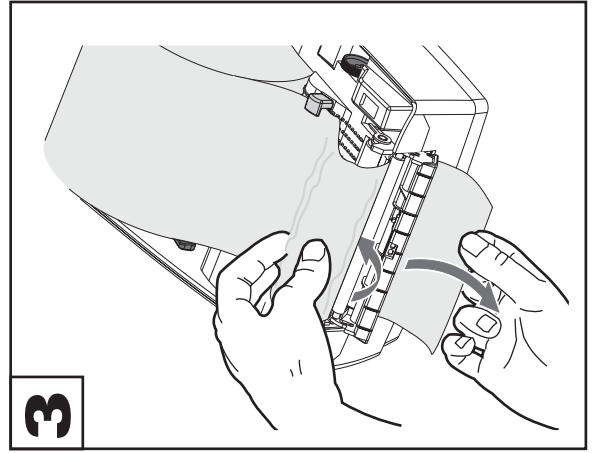
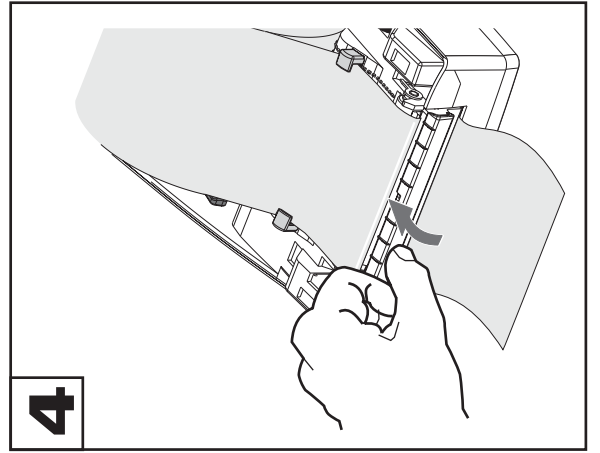
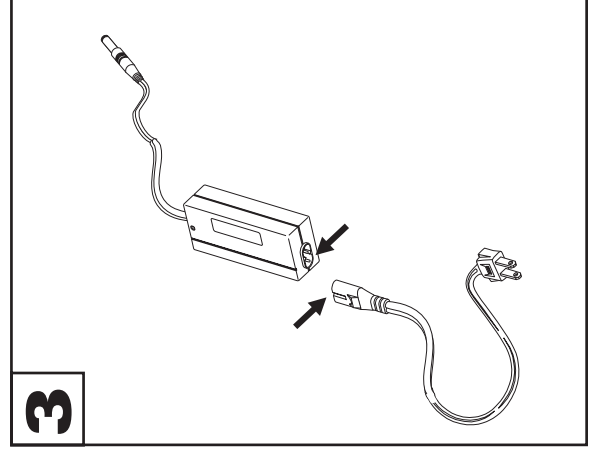
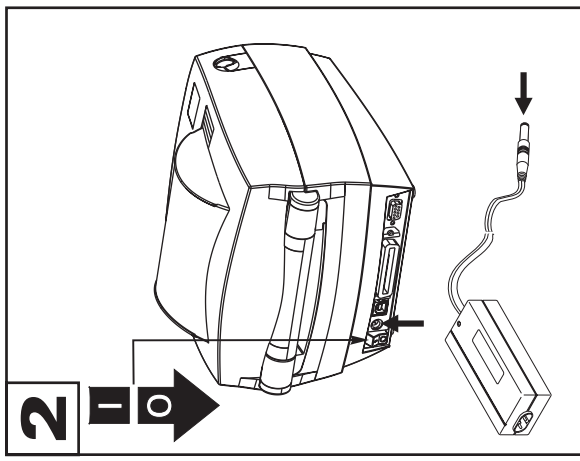
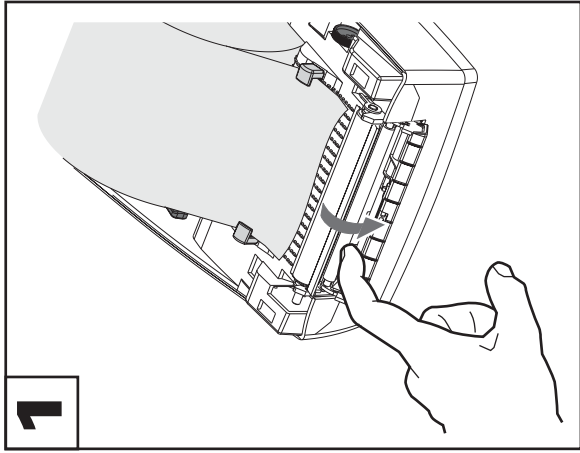
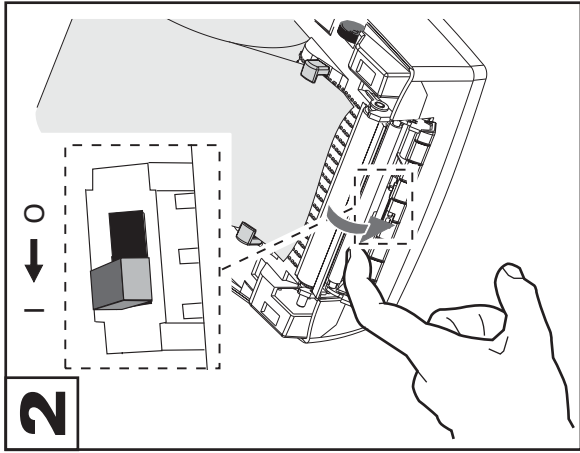
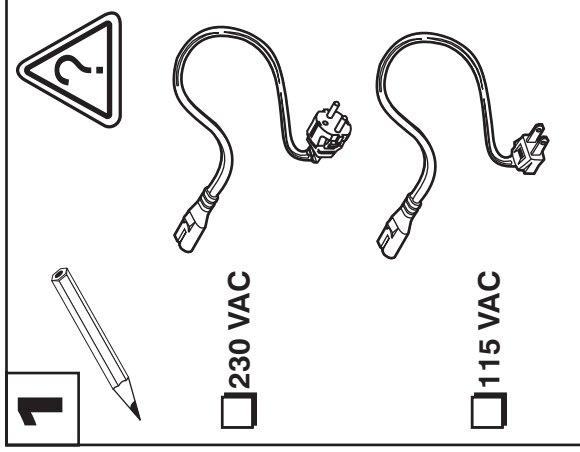
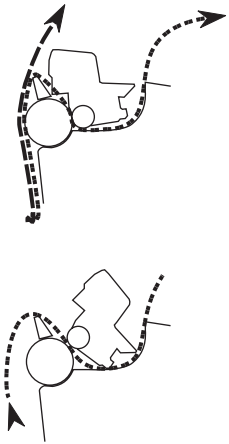
| | | |
|-----------------------|----------------------------------|---|
| <u>Directive EMC</u> | EN 55022-B 1998 EN 55024 1998 | Contrôle des émissions RF Protection controles perturbations électromagnétiques |
| <u>CB Arrangement</u> | EN 60950 1991 | Sûreté |

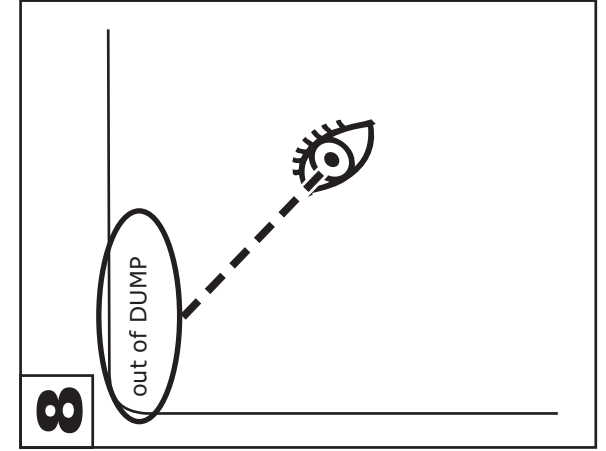
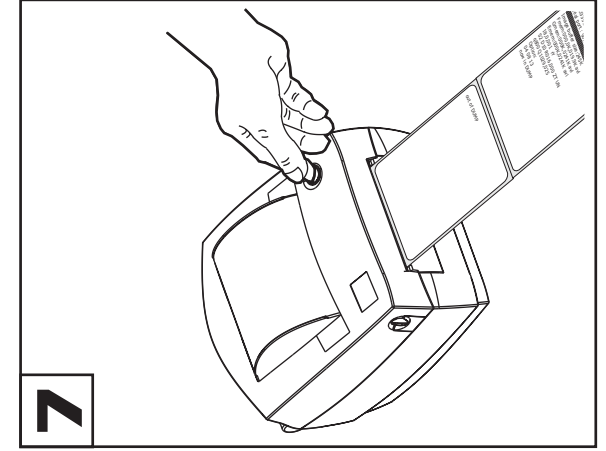
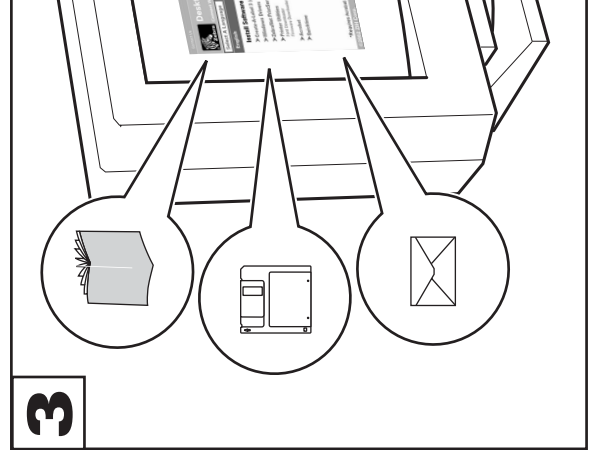
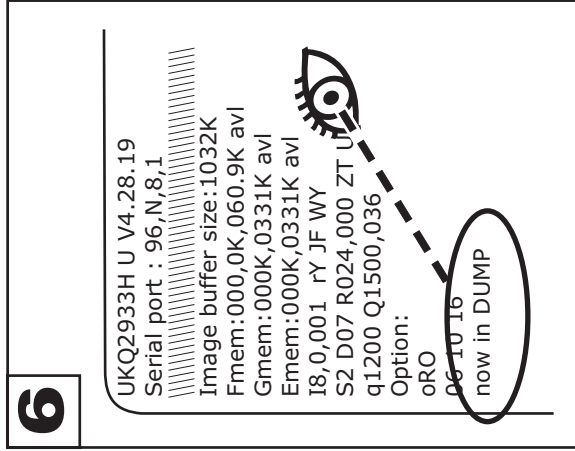
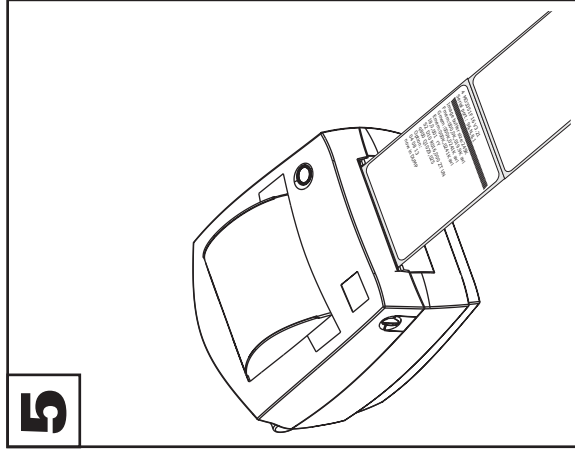
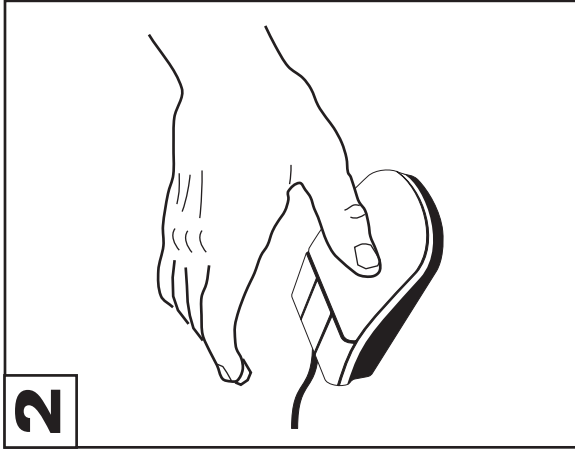
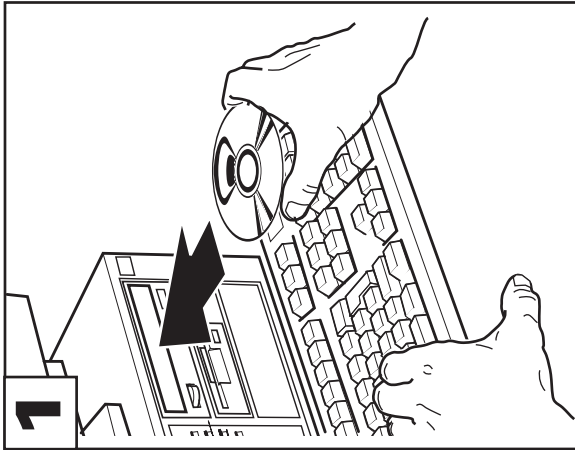
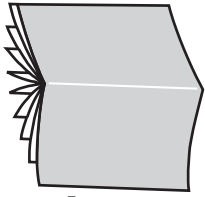
Thermische printer LP 2844

| | | |
|----------------------|----------------------------------|--|
| <u>EMC-richtlijn</u> | EN 55022-B 1998 EN 55024 1998 | RF emissieregeling Immunititeit voor elektromagnetische storingen |
| <u>CB schema</u> | EN 60950 1991 | Veiligheid |

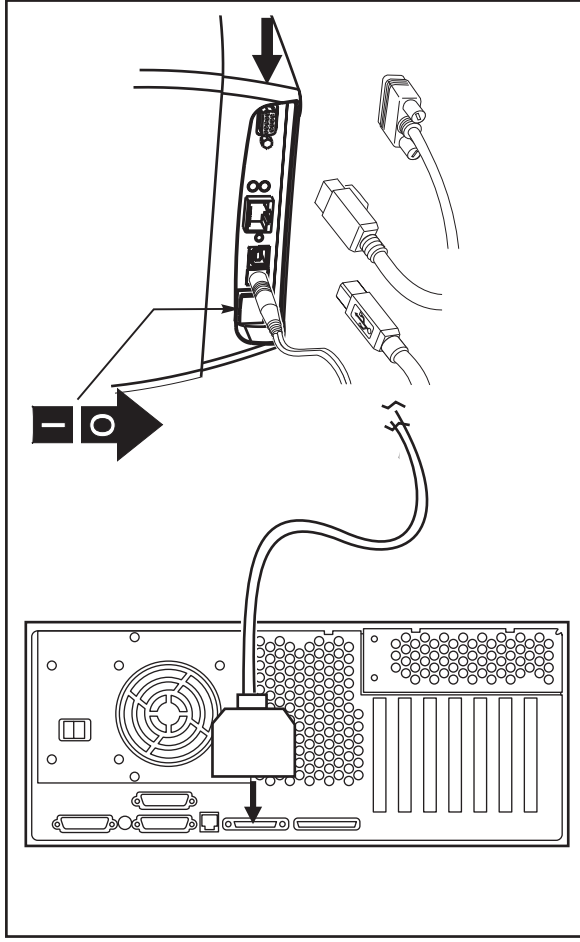
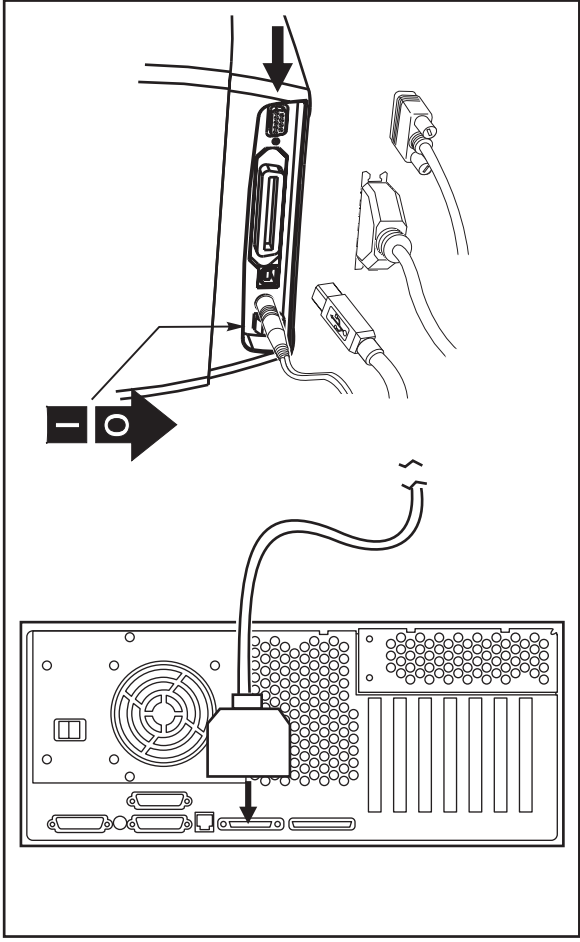
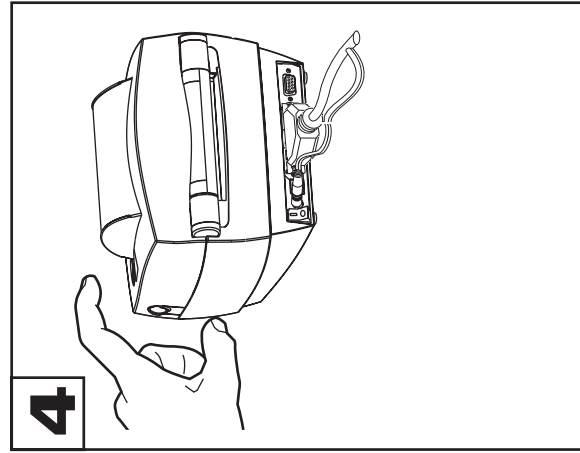
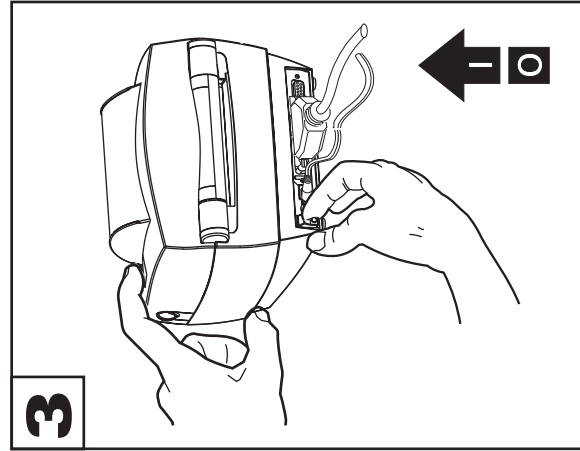
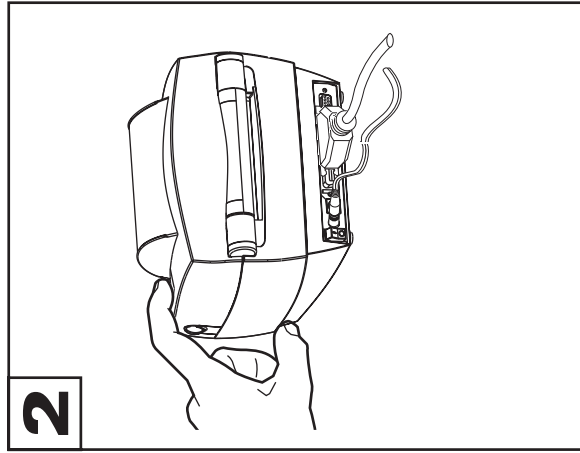
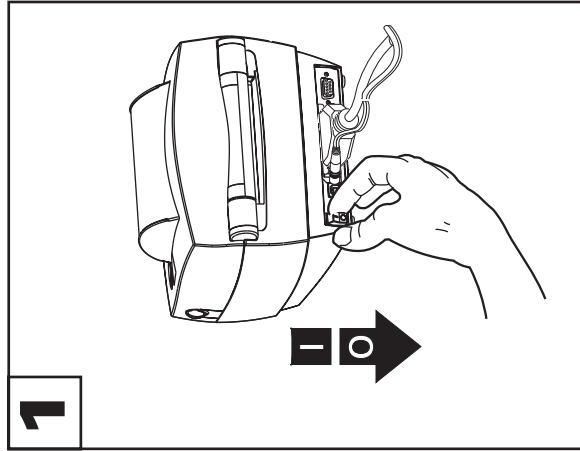
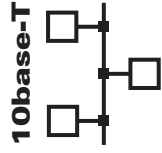
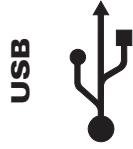
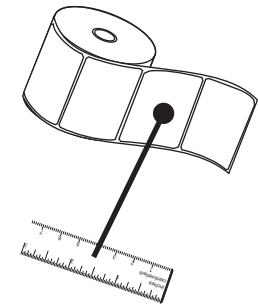


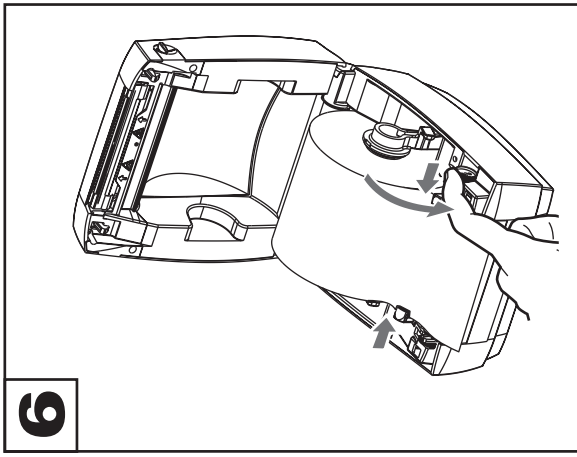
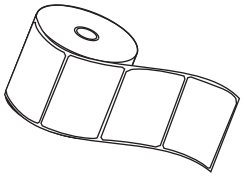




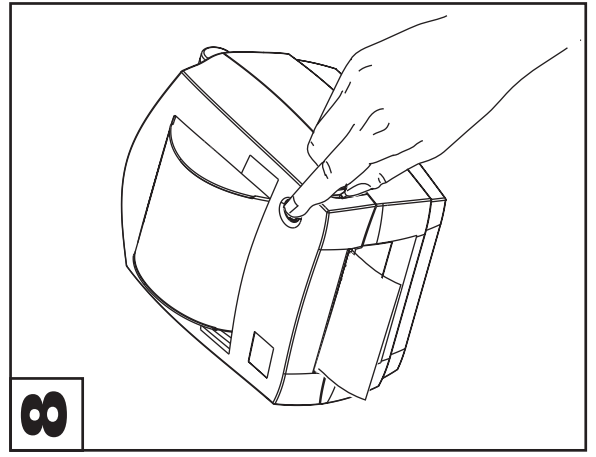


<http://www.zebra.com/>

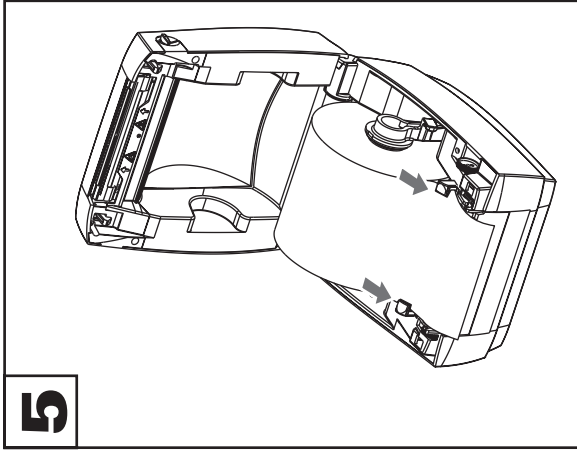




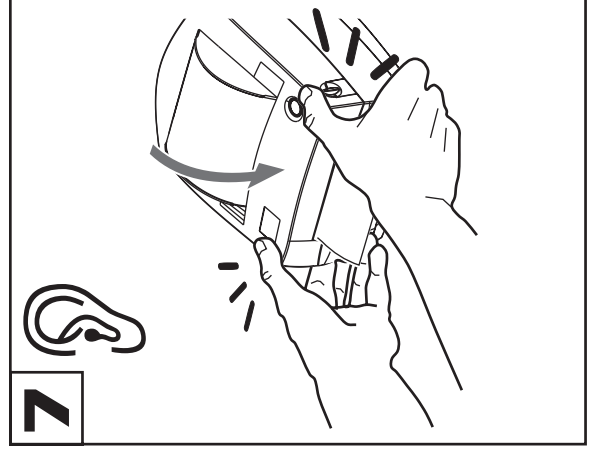
6



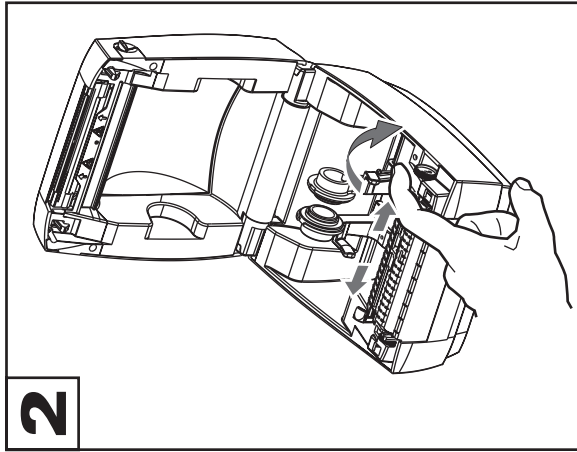
8



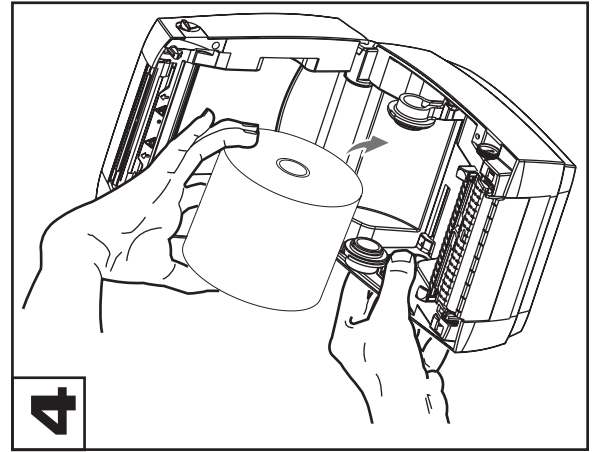
5



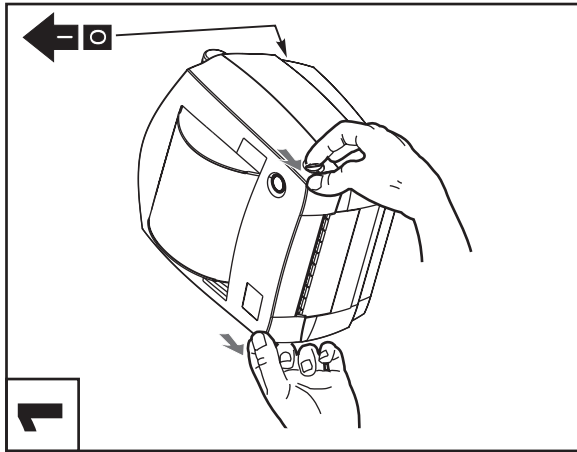
7



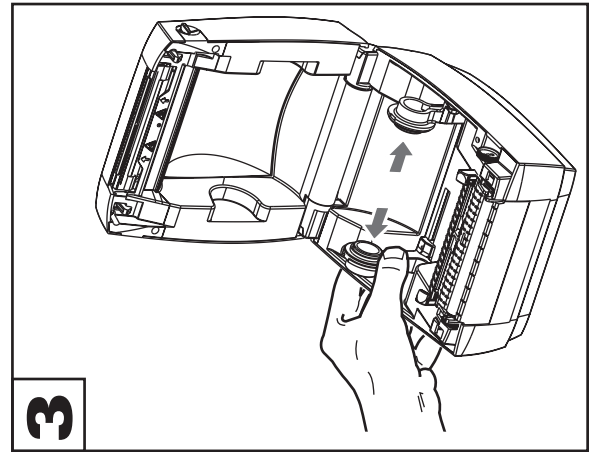
2



4



1



3